

## BOD S(P)4000系列 自动反洗叠片过滤系统

### BOD S (P) 4000 Series Automatic Back Flushing Disc Filtration System

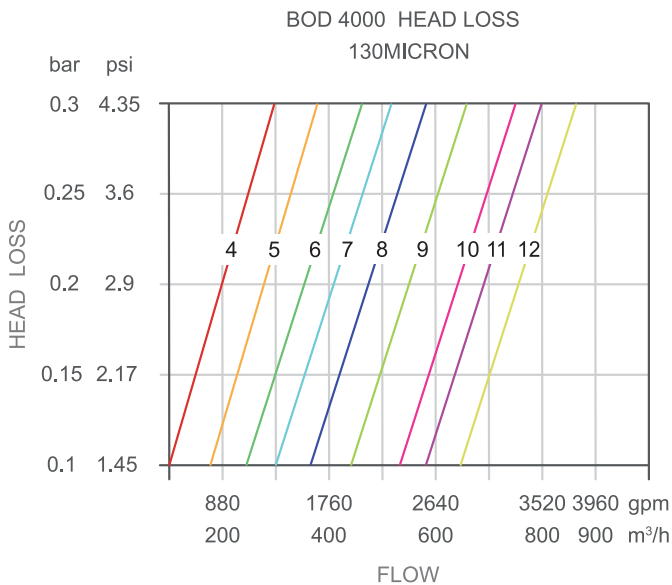


## 技术参数

### Technical Data

过滤单元 / Filter Unit		4"
最大工作压力 / Max. Working Pressure	psi(Mpa)	145(1.0)
最小反洗压力 / Min. Back Flushing Pressure	psi(Mpa)	标准系列 / Standard Series (S) 36.25 (0.25) 低压系列 / Low Pressure Series (P) 21.75 (0.15)
单元外壳材质 / Filter Shell Material		玻璃纤维加强聚酰胺 / Glassfiber Reinforced Polyamide
叠片材质 / Disc Material		聚丙烯 / PP
密封材料 / Sealing Material		NBR+不锈钢抱箍 / NBR+ Stainless Steel Clamp
反洗流量 / Back Flushing Water Consumption	gpm(l/s)	95.1 (6)
建议反洗压差 / Advise Back Flushing DP	psi(Mpa)	7.25 (0.05)
过滤面积 / Filtration Area	inch <sup>2</sup> (cm <sup>2</sup> )	505.3 (3260)
重量 / Weight	kg	24
PH		4-13
温度 / Temperature	°F (°C)	32-140 (0-60)

产品型号 Model	最大流量 Max.Flow gpm (m <sup>3</sup> /h)	滤头数×尺寸 Filter×Size inch	进出水口 Inlet / Outlet inch (DN PN 1.0)	控制系统 Control Unit 220V AC
BOD S (P) 404/8F	968 220	4×4"	8" 200	BOA DO104
BOD S (P) 405/8F	1210 275	5×4"	8" 200	BOA DO105
BOD S (P) 406/8F	1452 330	6×4"	8" 200	BOA DO106
BOD S (P) 407/10F	1694 385	7×4"	10" 250	BOA DO107
BOD S (P) 408/10F	1936 440	8×4"	10" 250	BOA DO108
BOD S (P) 409/12F	2178 495	9×4"	12" 300	BOA DO109
BOD S (P) 410/12F	2420 550	10×4"	12" 300	BOA DO110
BOD S (P) 411/12F	2662 605	11×4"	12" 300	BOA DO111
BOD S (P) 412/14F	2904 660	12×4"	14" 350	BOA DO112



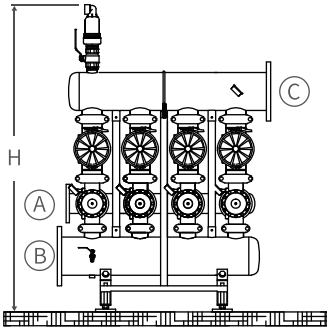
注1:更大流量的SS4000系列过滤系统,具体请咨询我公司。

Note 1: SS4000 series filtration system is available to meet with larger flowrate, please contact us for further requirements.

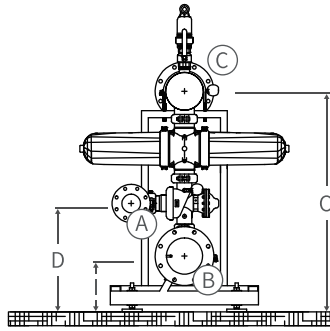
注2:最大过滤流量及清洗数据是按照130微米过滤精度、水质较好工况的数据,实际过滤流量与所选过滤精度和水质有关,具体请咨询本公司。

Note 2: The maximum flow rate and cleaning data is based on 130 micron for the filtration grade and good water quality. The actual filtration flow and the filtration grade are related to water quality. Please refer to our company for details.

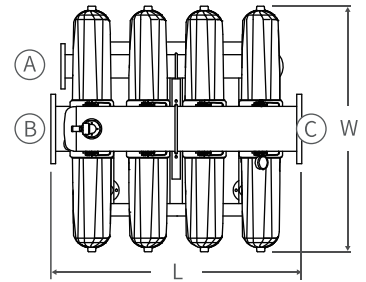
## 尺寸 | Dimensions



Ⓐ 排污管 / Drainage Manifold



Ⓑ 进水管 / Inlet Manifold



Ⓒ 出水管 / Outlet Manifold

产品型号 Model	尺寸 / Dimensions inch (mm)					
	L	W	H	I	O	D
BOD S (P) 404/8F	48.23 1225	47.24 1200	69.49 1765	12.60 320	49.84 1266	24.53 623
BOD S (P) 404/8F	59.26 1500	47.24 1200	69.49 1765	12.60 320	49.84 1266	24.53 623
BOD S (P) 406/8F	69.88 1775	47.24 1200	69.49 1765	12.60 320	49.84 1266	24.53 623
BOD S (P) 407/10F	80.71 2050	47.24 1200	73.82 1875	13.78 350	53.15 1350	26.77 680
BOD S (P) 408/10F	91.54 2325	47.24 1200	73.82 1875	13.78 350	53.15 1350	26.77 680
BOD S (P) 409/12F	107.28 2725	47.24 1200	78.35 1900	15.35 390	56.77 1442	29.69 754
BOD S (P) 410/12F	118.11 3000	47.24 1200	78.35 1900	15.35 390	56.77 1442	29.69 754
BOD S (P) 411/12F	128.94 3275	47.24 1200	78.35 1900	15.35 390	56.77 1442	29.69 754
BOD S (P) 412/14F	139.76 3550	47.24 1200	83.07 2110	17.32 440	60.87 1546	32.52 826